

INTELLISITE Quick Reference Guide

IntelliSite Monitoring System

The IntelliSite Monitoring System provides centralized monitoring and management of your IT facility. IntelliSite combines a flexible, powerful windows-based user interface with easy integration of power and environmental support equipment from various manufacturers.

Start IntelliSite



Double-clicking the ISite icon will start up the software.

Buttons



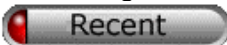
The Exit button ends IntelliSite monitoring. You will leave the application.



Click on Connect to begin monitoring. This establishes a connection to monitored equipment.



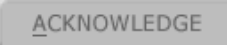
Clicking on Disconnect will terminate the active communication link between the equipment you are monitoring and the PC.



Recent History button. This button will display recent history, last 15 occurrences.



The History button displays ongoing history. In the alarm history window clicking on **Archive** will allow you to save history in an alarm database file (*.mdb) in the systems history folder.

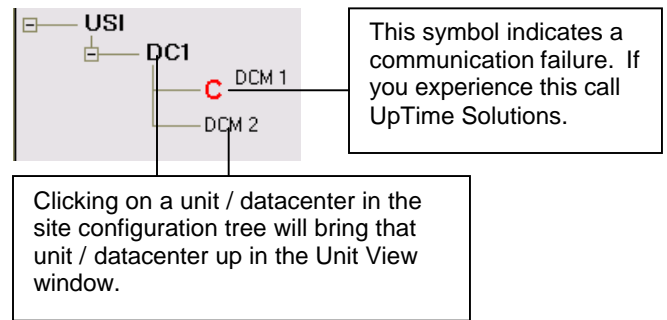
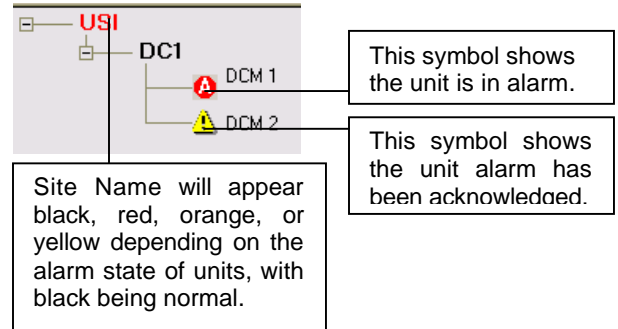


Acknowledge Alarm button. This button may be used to acknowledge any active alarm on the current unit. Turns yellow for current display unit that has been acknowledged.



Click on Silence to turn off alarm sounds. This will not make an entry to the history.

Site Configuration Tree



Password

Password protection allows only authorized users to acknowledge alarms, exit the system, or use setup options. Menu option File → Password Administration allows you to assign user passwords. File → Disable Password Protection allows you to disable passwords.

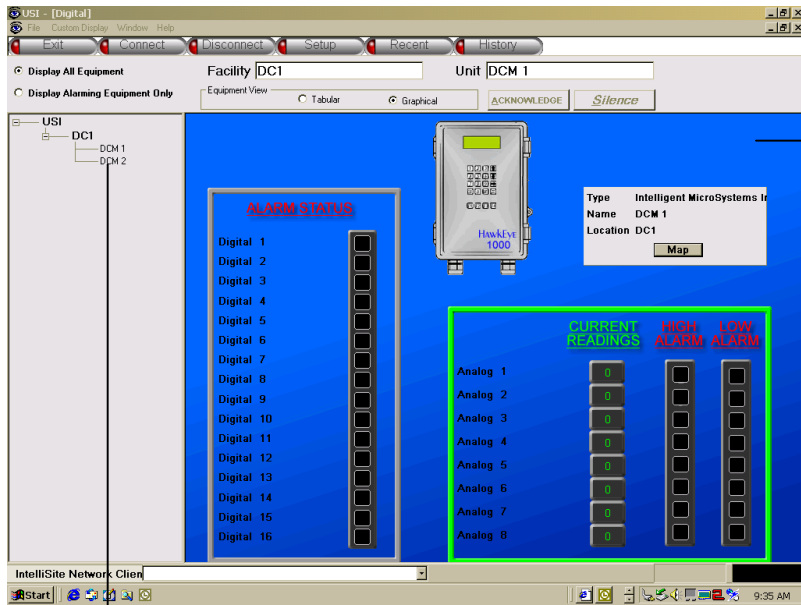
Display Alarming Equipment Only

Selecting the radio button next to Display Alarming Equipment Only will display only the units and points in alarm.

Print

Menu option Custom Display → Print Active Forms allows you to print any window, which is open.

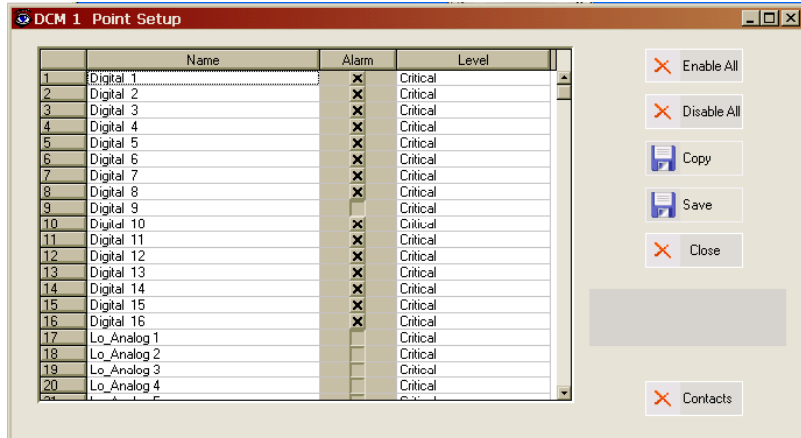
Main Window



Unit View Window
The Unit View window displays status and alarm information for unit.

System Configuration Tree
The System Configuration Tree allows you to bring up a specific datacenter or unit by clicking on it and the image will be brought up in the Unit View window.

Point Setup Screen



Point Setup Window
By holding down the Shift key and right-clicking on the unit in the System Configuration Tree you will bring up the Point Setup window. This window allows you to set points to show alarms and the level of alarm (none, status, non-critical, critical). For more information on this window refer to the IntelliSite Software Guide.



Plano, TX 972-365-2467
www.uptimesolutionsinc.com / sales@uptimesolutionsinc.com